

Application

Designed to house most standard type disconnects. For outdoor applications a drip shield is recommended. For installation information, consult our installation manual at www.saginawcontrol.com.

Construction

- 0.075" carbon steel.
- Seams continuously welded and ground smooth.
- Flange trough collar around all sides of door opening.
- Pour in place oil and water resistant gasket.
- Collar studs provided for mounting optional subpanels.
- Disconnect cutout provided on flange.
- Concealed hinges.
- Doors are interchangeable and easily removed by pulling hinge pins.
- 3-point latching mechanism.
- Latches are opened or closed with a screwdriver (optional tamper-resistant inserts are available).
- Mounting holes on back of enclosure.
- Mounting hardware, sealing washers, and hole plugs included.
- Ground studs on door and body.
- Removable print pocket.
- Black zinc die cast coinproof/padlocking handle.
- Provision for Lifting Lugs included on enclosures with Height >48" and with Depth >16". Lifting Lug assembly will be included with the enclosure bolt pack and hole plugs provided to seal holes in bottom of enclosure.

Disconnect switch (or circuit breaker) and operating mechanism are not furnished with this enclosure.

Finish

RAL 7035 gray powder coated inside and out. Optional subpanels powder coated white.

IS3 Industry Standards

NEMA Type 3R, 12 & Type 13
UL Listed Type 3R & 12
CSA Type 3R & 12
IEC 60529 IP55

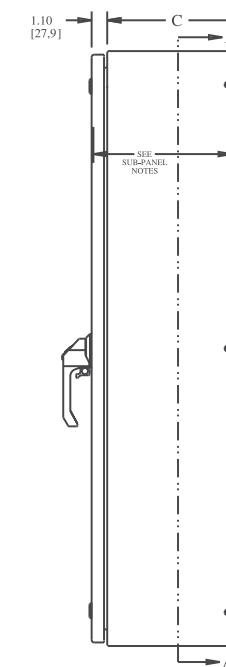
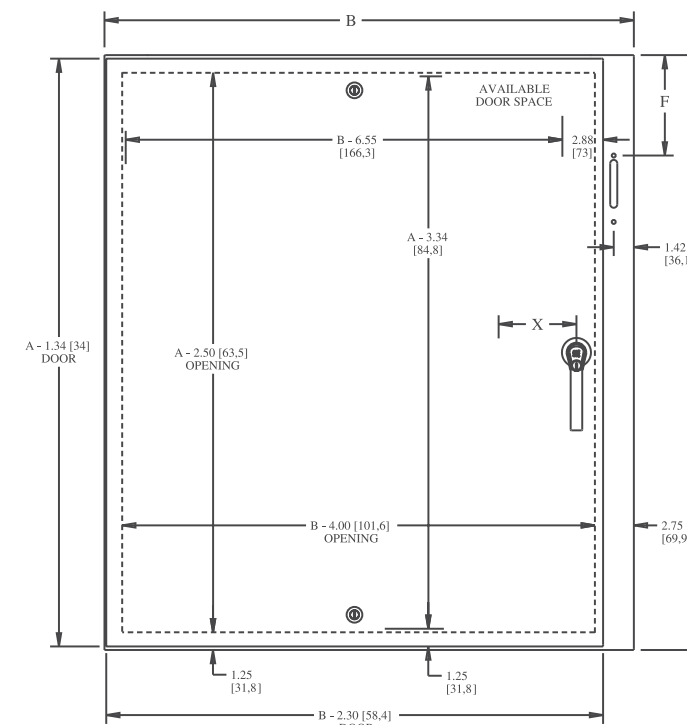
IS4 Industry Standards

NEMA Type 3R, 4, 12 & Type 13
UL Listed Type 3R, 4 & 12
CSA Type 3R, 4 & 12
IEC 60529 IP66

***To maintain Type 3R listing, drainage is required. Install equally rated drainage device or drill a 1/8 to 1/4 inch hole in the bottom center of the enclosure, approximately 1 inch from the right, and 1 inch from the left for drainage, use listed rain-tight or wet location hubs. Drip shield over the door is recommended for all outdoor applications.

Enclosure Product Code E3				Subpanel (P3)			
Catalog No.	Height (A)	Width (B)	Depth (C)	Industry Standard	Catalog No.	Panel Height (D)	Panel Width (E)
SCE-20XEL2108LPLG	20.00	21.38	8.00	IS4	SCE-20P20	17.00	17.00
SCE-20XEL2110LPLG	20.00	21.38	10.00	IS4	SCE-20P20	17.00	17.00
SCE-24XEL2108LPLG	24.00	21.38	8.00	IS4	SCE-24P20	21.00	17.00
SCE-24XEL2508LPLG	24.00	25.38	8.00	IS4	SCE-24P24	21.00	21.00
SCE-24XEL2510LPLG	24.00	25.38	10.00	IS4	SCE-24P24	21.00	21.00
SCE-30XEL2108LPLG	30.00	21.38	8.00	IS4	SCE-30P20	27.00	17.00
SCE-30XEL2508LPLG	30.00	25.38	8.00	IS4	SCE-30P24	27.00	21.00
SCE-30XEL2510LPLG	30.00	25.38	10.00	IS4	SCE-30P24	27.00	21.00
SCE-36XEL2508LPLG	36.00	25.38	8.00	IS4	SCE-36P24	33.00	21.00
SCE-36XEL2510LPLG	36.00	25.38	10.00	IS4	SCE-36P24	33.00	21.00
SCE-36XEL3108LPLG	36.00	31.38	8.00	IS4	SCE-36P30	33.00	27.00
SCE-36XEL3110LPLG	36.00	31.38	10.00	IS4	SCE-36P30	33.00	27.00
SCE-36XEL3112LPLG	36.00	31.38	12.00	IS4	SCE-36P30	33.00	27.00
SCE-36XEL3116LPLG	36.00	31.38	16.00	IS4	SCE-36P30	33.00	27.00
SCE-42XEL3110LPLG	42.00	31.38	10.00	IS4	SCE-42P30	39.00	27.00
SCE-42XEL3112LPLG	42.00	31.38	12.00	IS4	SCE-42P30	39.00	27.00
SCE-42XEL3116LPLG	42.00	31.38	16.00	IS4	SCE-42P30	39.00	27.00
SCE-42XEL3710LPLG	42.00	37.38	10.00	IS4	SCE-42P36	39.00	33.00
SCE-42XEL3712LPLG	42.00	37.38	12.00	IS4	SCE-42P36	39.00	33.00
SCE-42XEL3712LP12LG	42.00	37.38	12.00	IS3	SCE-42P36	39.00	33.00
SCE-42XEL3716LPLG	42.00	37.38	16.00	IS4	SCE-42P36	39.00	33.00
SCE-48XEL3710LPLG	48.00	37.38	10.00	IS4	SCE-48P36	45.00	33.00
SCE-48XEL3712LPLG	48.00	37.38	12.00	IS4	SCE-48P36	45.00	33.00
SCE-48XEL3712LP12LG	48.00	37.38	12.00	IS3	SCE-48P36	45.00	33.00
SCE-48XEL3716LPLG	48.00	37.38	16.00	IS4	SCE-48P36	45.00	33.00
SCE-60XEL3710LPLG	60.00	37.38	10.00	IS4	SCE-60P36	57.00	33.00
SCE-60XEL3712LPLG	60.00	37.38	12.00	IS4	SCE-60P36	57.00	33.00
SCE-60XEL3716LPLG	60.00	37.38	16.00	IS4	SCE-60P36	57.00	33.00
SCE-60XEL3716LP12LG	60.00	37.38	16.00	IS3	SCE-60P36	57.00	33.00

Part numbers that end in "LP12" omit center quarter turn latches on the top and bottom of the door



SUB-PANEL NOTES:
Dimensions are from the inside of the door.
C + .32 [8,1] for flat sub-panels
C - .18 [4,5] for bent sub-panels

DISCONNECT NOTES:
F = 4.75 [121] when C = 8.00 [203]
F = 7.09 [180] when C = 10.00 [254]
F = 11.62 [295] when C = 12.00 [304]
F = 11.62 [295] when C = 16.00 [406]
F = 18.38 [467] for SCE-60XEL3712LP4

LATCH NOTES:
Omit center latch top and bottom of door when door width is <= 30.00" [762]

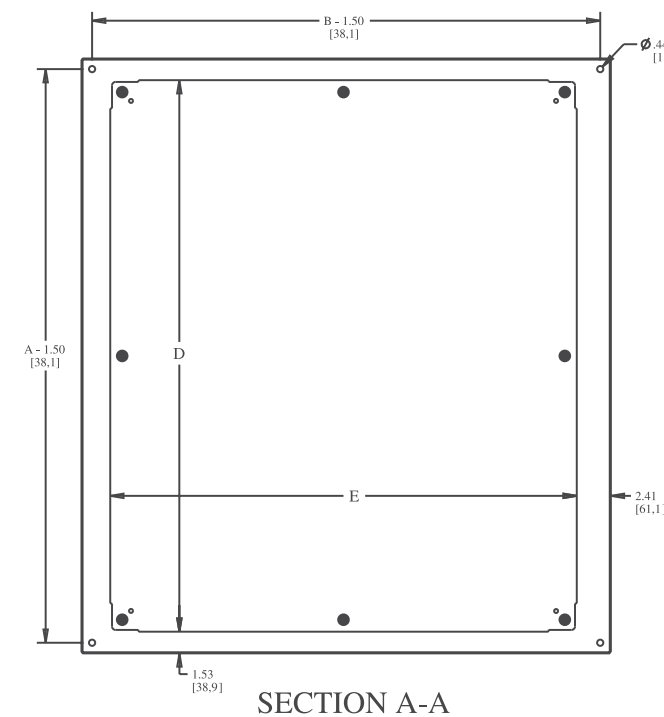
HANDLE NOTES:
On enclosures <= 42.00 [1067]
X = 5.50 [140] and use 5.00 [127] padlocking handle with coin-proof.

On enclosures > 42.00 [1067]
X = 6.75 [171] and use 7.00 [178] padlocking handle with coin-proof.

Enclosures with a height dimension < 40.00 [1016] have a 2-point door closing mechanism.

Enclosures with a height dimension of >= 40.00 [1016] have a 3-point door latching mechanism.

CONSTRUCTION NOTES:
Door will be 0.125 [3,1] thick material when enclosure height is >= 42.00 and door width is > 24.00



SECTION A-A